



# R e m o t e   a i r   v a l v e s

## Individual mounting

Inline

## Manifold mounting

stacking

Function	Port size	Flow (Max)	Individual mounting
<b>4/2</b>	<b>G1/8" - G1/4"</b>	<b>1200 NI/Min</b>	<b>Inline</b>

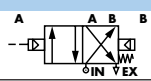
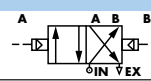
**OPERATIONAL BENEFITS**

1. Balanced spool, immune to variations of pressure.
2. Short stroke with high flow.
3. The piston (booster) provides maximum shifting forces.
4. Powerful return thanks to the combination of mechanical and air springs.
5. Bonded spool with minimum friction, shifting in a glass-like finished bore.
6. Wiping effect eliminates sticking.
7. Low leakage rate.



**HOW TO ORDER**

**Reset**

Port size	Single operator	Double operator
		
<b>G1/8"</b>	915B-RA	925B-RA
<b>G1/4"</b>	916B-RA	926B-RA

Air pilot port : G 1/8".

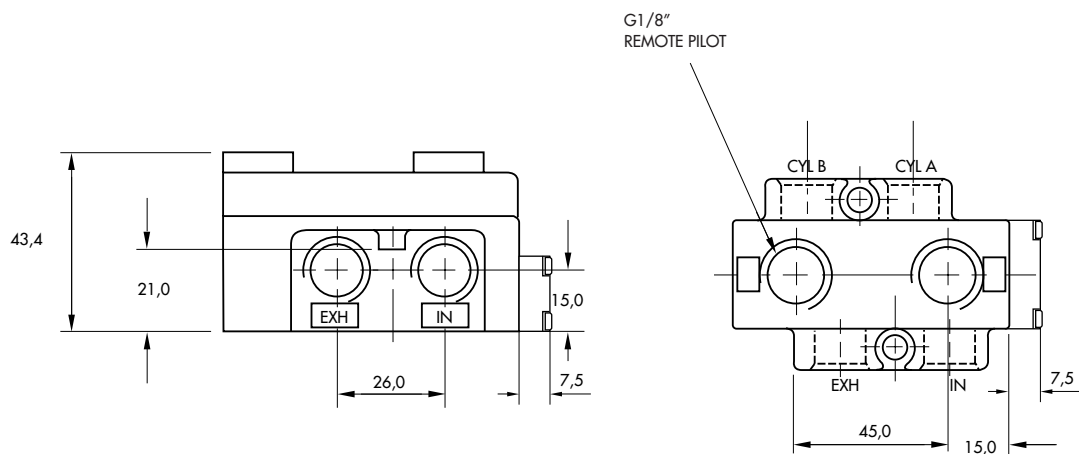
TECHNICAL  
DATA

<b>Fluid :</b>	Compressed air, vacuum, inert gases
<b>Pressure range :</b>	Vacuum to 10 bar
<b>Air signal pressure :</b>	Single operator : 1.8 to 10 bar $\geq$ main valve pressure Double operator : 0.7 to 10 bar
<b>Lubrication :</b>	Not required, if used select a medium aniline point lubricant (between 80°C and 100°C)
<b>Filtration :</b>	40 $\mu$
<b>Temperature range :</b>	-18°C to +50°C
<b>Orifice :</b>	7 mm
<b>Flow (at 6 bar, <math>\Delta P=1</math>bar) :</b>	G 1/8" : 800 NI/min (C <sub>v</sub> 0.8) - G 1/4" : 1200 NI/min (C <sub>v</sub> 1.2)
<b>Leak rate :</b>	50 cm <sup>3</sup> /min

Spare parts : • Remote air operator (single operator) : R-09002-01P. • Remote air operator ( double operator) : R-09002-02P.

Options : • NPTF threads.

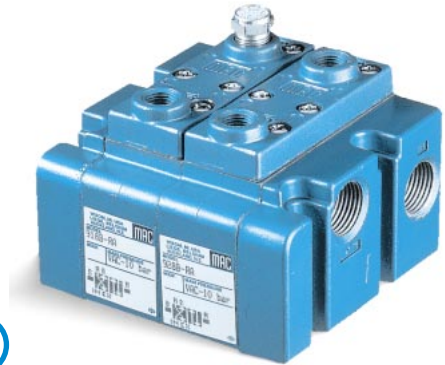
DIMENSIONS



Function	Port size	Flow (Max)	Manifold mounting
4/2	G1/8" - G1/4" - G3/8"	1200 NI/Min	stacking

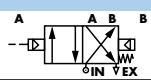
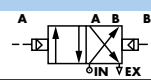
**OPERATIONAL BENEFITS**

1. Balanced spool, immune to variations of pressure.
2. Short stroke with high flow.
3. The piston (booster) provides maximum shifting forces.
4. Powerful return thanks to the combination of mechanical and air springs.
5. Bonded spool with minimum friction, shifting in a glass-like finished bore.
6. Wiping effect eliminates sticking.
7. Low leakage rate.



**HOW TO ORDER**

**Reset**

Port size	Single operator	Double operator
		
G1/8"	917B-RA	927B-RA
G1/4"	918B-RA	928B-RA
G3/8"	919B-RA Mod 005	929B-RA Mod 005

Air pilot port : G 1/8".

TECHNICAL  
D A T A

<b>Fluid :</b>	Compressed air, vacuum, inert gases
<b>Pressure range :</b>	Vacuum to 10 bar
<b>Air signal pressure :</b>	Single operator : 1.8 to 10 bar $\geq$ main valve pressure Double operator : 0.7 to 10 bar
<b>Lubrication :</b>	Not required, if used select a medium aniline point lubricant (between 80°C and 100°C)
<b>Filtration :</b>	40 $\mu$
<b>Temperature range :</b>	-18°C to +50°C
<b>Orifice :</b>	7 mm
<b>Flow (at 6 bar, <math>\Delta P=1</math>bar) :</b>	G 1/8" : 800 NI/min (C <sub>v</sub> 0.8) - G 1/4" - G3/8" : 1200 NI/min (C <sub>v</sub> 1.2)
<b>Leak rate :</b>	50 cm <sup>3</sup> /min

Spare parts :   
 • Remote air operator (single operator) : R-09002-01P. • Remote air operator (double operator) : R-09002-02P.   
 • Pressure seal between valves : 16358. • Tie-rod (x2) : 19615.

Options :   
 • NPTF threads.

DIMENSIONS

